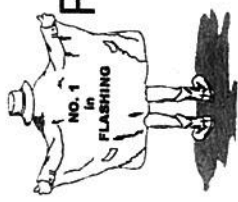
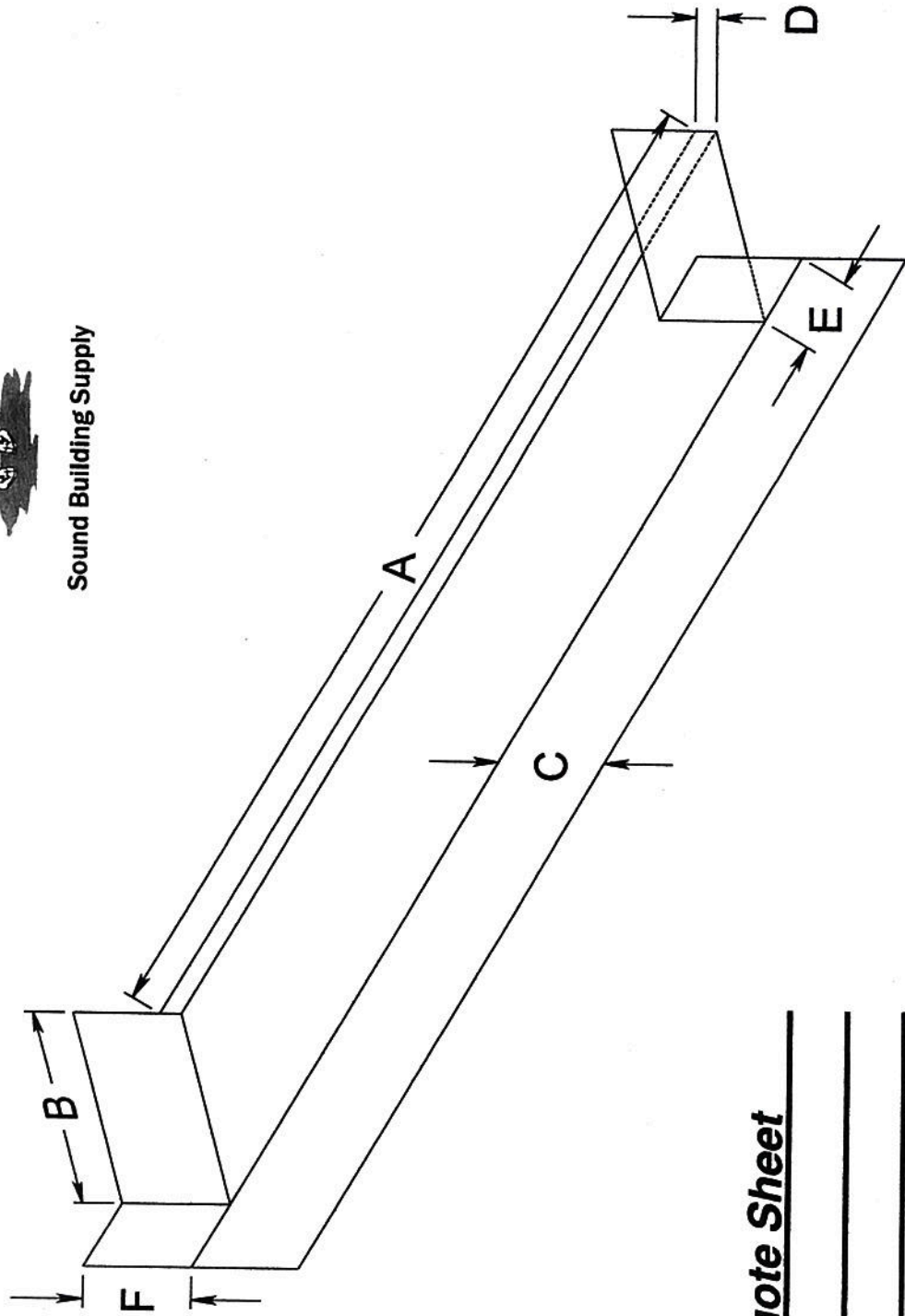


Customer: _____
 S.B.S. Sales Rep: _____



Phone: (425) 264-0264
 Fax: (425) 264-0265

Sound Building Supply



Door Pan Quote Sheet

A= _____
 B= _____
 C= _____
 D= _____
 E= _____
 F= _____

Material= _____
 Quantity= _____
 Price= _____