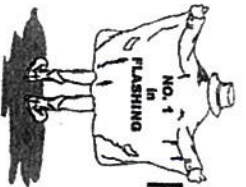


Customer: _____

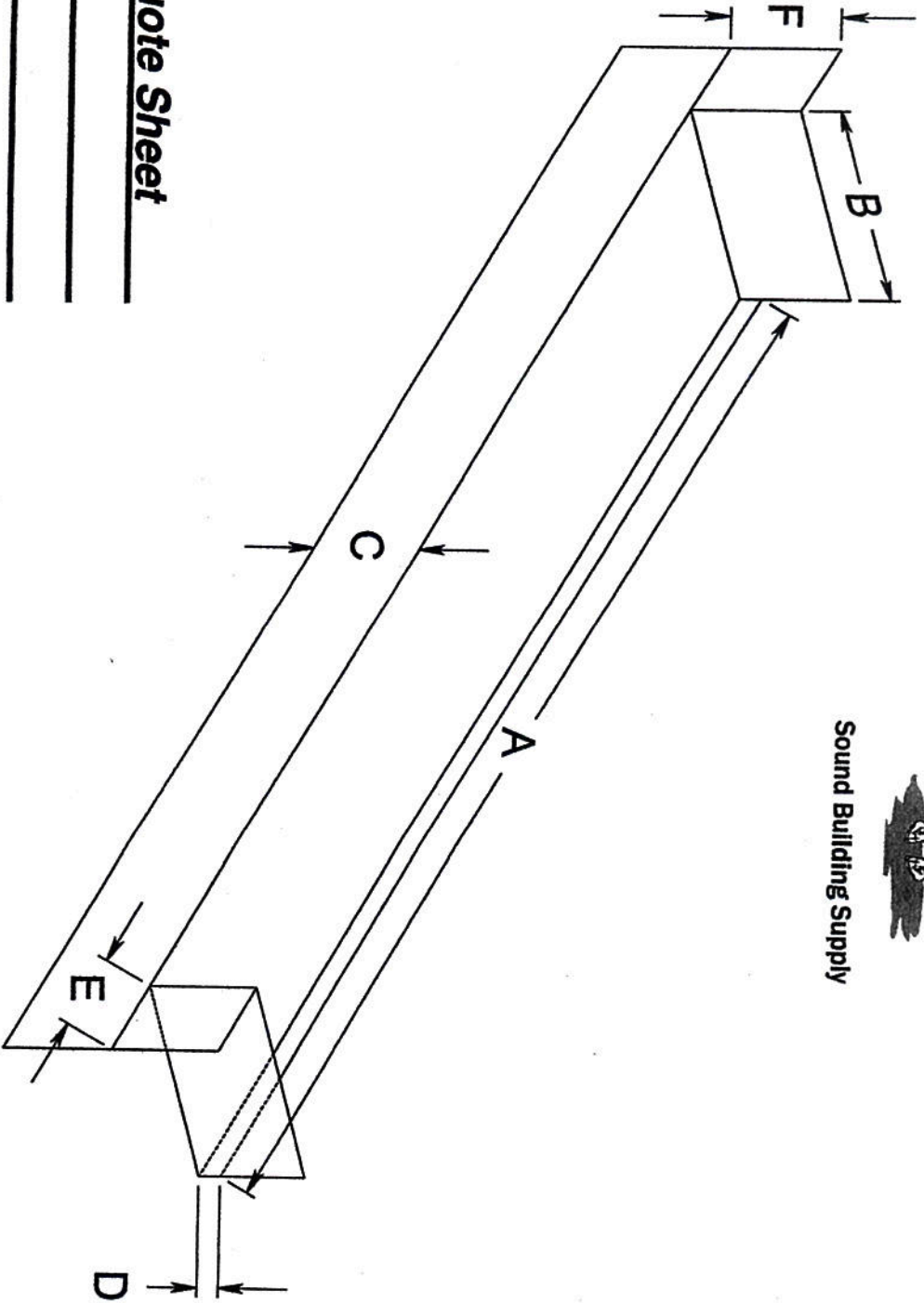
S.B.S. Sales Rep: _____



Sound Building Supply

Phone: (425) 264-0264

Fax: (425) 264-0265



Door Pan Quote Sheet

A= _____

B= _____

C= _____

D= _____

E= _____

F= _____

Material= _____

Quantity= _____

Price= _____